

## Features

- Dual and single through-hole models available
- Low height of only 6.3 mm
- Matched to leading transceiver ICs
- Lead free version available (see How to Order)

- Lead free versions are RoHS compliant\*

## Applications

- Telecom

# PT66005 - T1/CEPT/ISDN PRI Transformer

### Electrical Specifications @ 25 °C

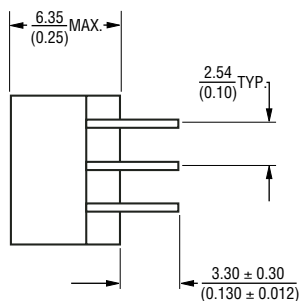
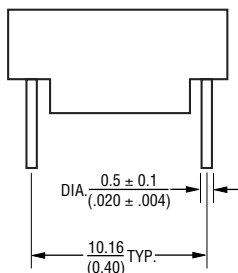
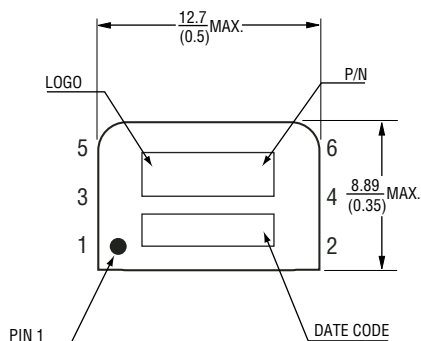
|   |          |
|---|----------|
| Turns Ratio $\pm 5\%$ (I : II) .....                    | 1:1      |
| OCL (mH min.) .....                                     | 1.2      |
| Interwinding Capacitance                                |          |
| C <sub>ww</sub> (pF max.) .....                         | 25       |
| Leakage Inductance L <sub>s</sub> ( $\mu$ H max.) ..... | 0.5      |
| HIPOT 50 Hz for 2 sec. (I : II) .....                   | 1500     |
| DCR ( $\Omega$ max.) .....                              | 0.7      |
| Operating Temperature (°C) .....                        | 0 to +70 |

Other OCL specifications available on request.

### Packaging Specifications

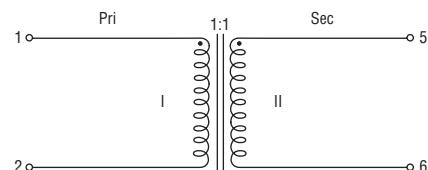
|            |              |
|------------|--------------|
| Tube ..... | 56 pcs./tube |
|------------|--------------|

### Product Dimensions



DIMENSIONS ARE:  $\frac{\text{MM}}{\text{(INCHES)}}$

### Electrical Schematic



### How to Order

**PT66005**

Model \_\_\_\_\_

Termination \_\_\_\_\_

Blank = Tin-lead

L = Tin only (lead free)